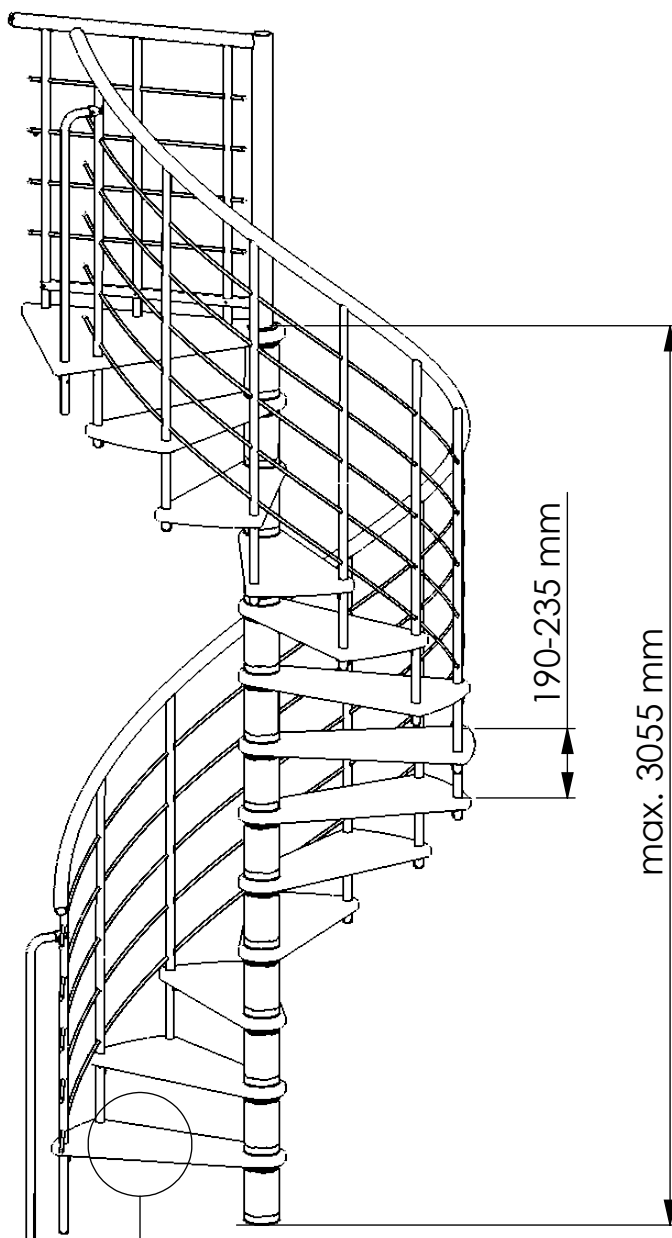
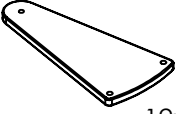
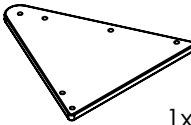
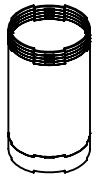
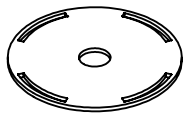

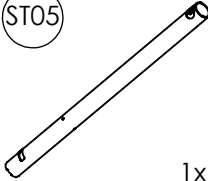

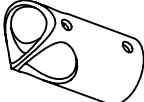
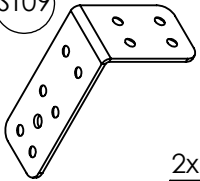
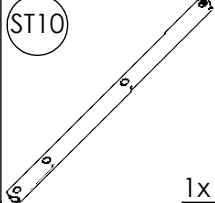

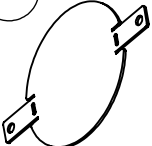
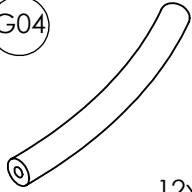
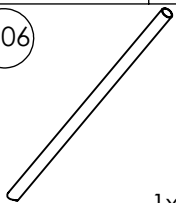
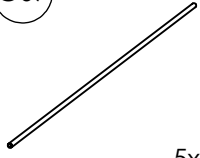
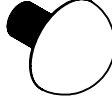

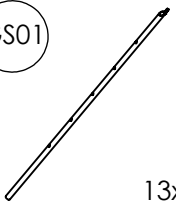
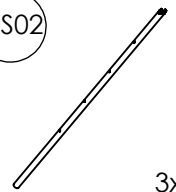
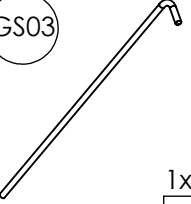



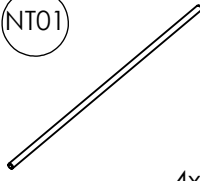

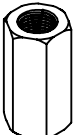





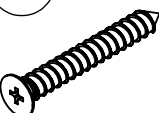


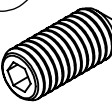
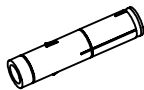


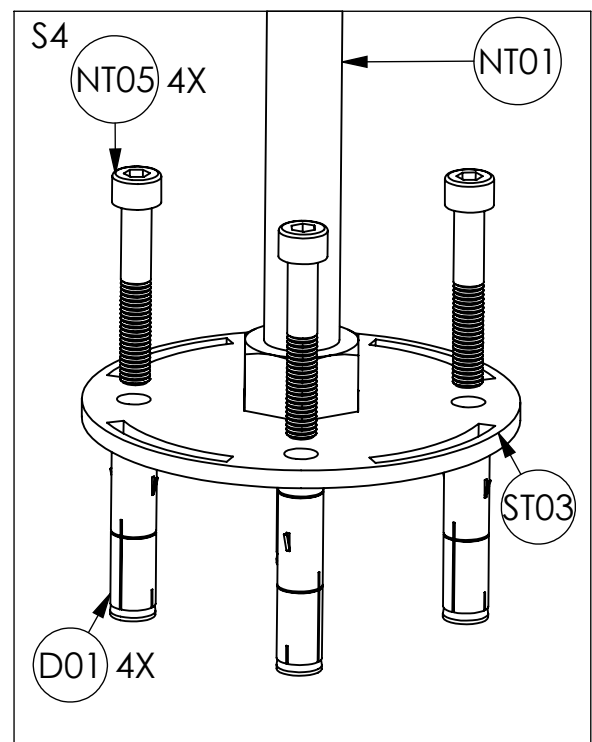
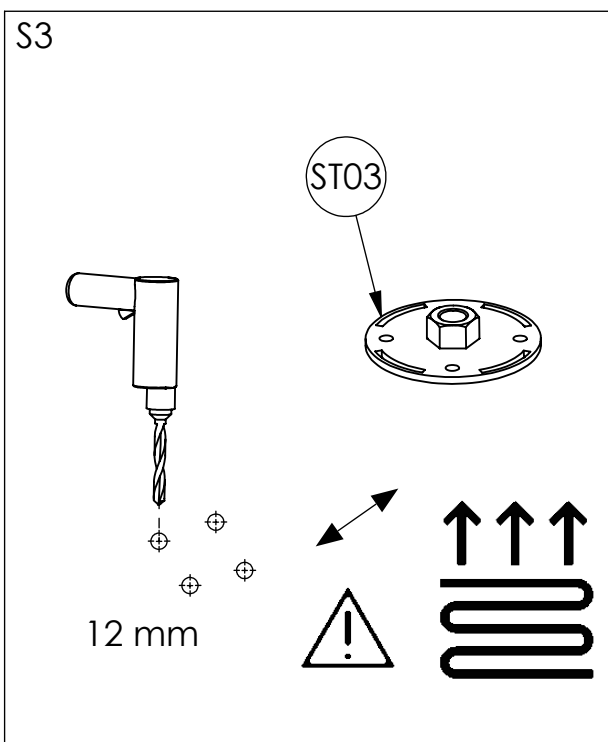
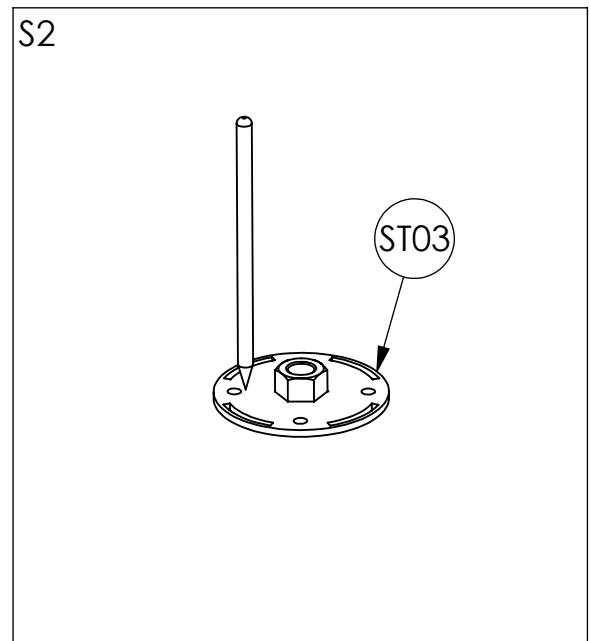
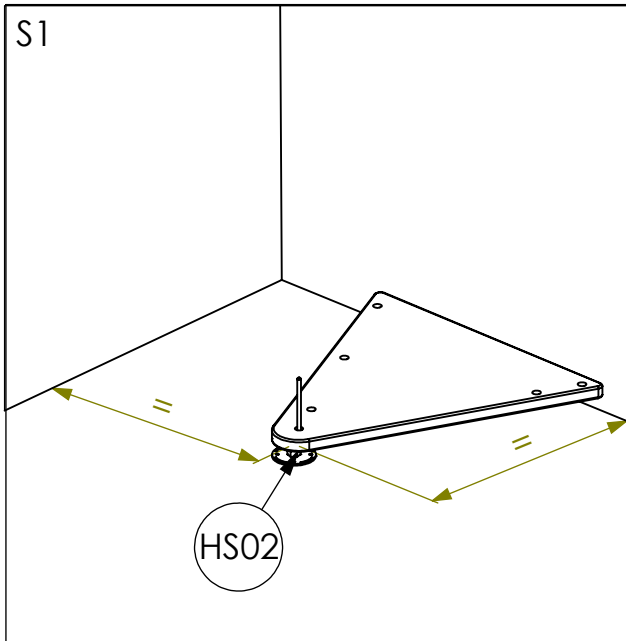


| | 9 | 10 | 11 | 12 | 13 |
|-------|--------|--------|--------|--------|--------|
| H min | 1755mm | 1950mm | 2145mm | 2340mm | 2535mm |
| H max | 2115mm | 2350mm | 2585mm | 2820mm | 3055mm |

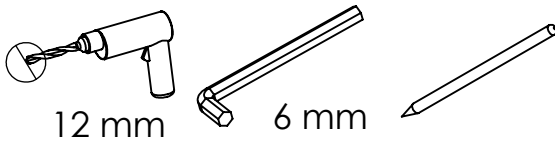


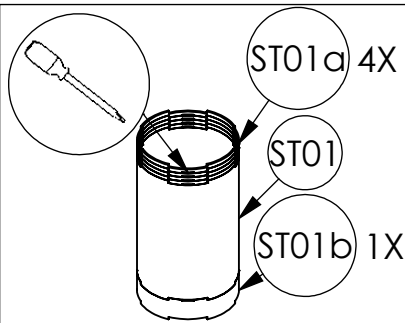
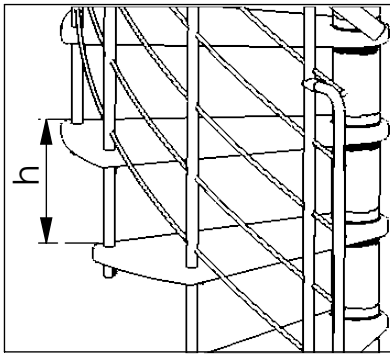
Venezia EB_10110_01

| | | | | | |
|---------------------------------------------------------------------------------------------------------------------------------|----------------------------------------------------------------------------------------------------------------------------------|------------------------------------------------------------------------------------------------------------------------------|-------------------------------------------------------------------------------------------------------------------------------|-----------------------------------------------------------------------------------------------------------------------------------|-----------------------------------------------------------------------------------------------------------------------------------|
| <p>HS01</p>  <p>12x</p> | <p>HS02</p>  <p>1x</p> | <p>ST01</p>  <p>13x</p> <p>Ø 108x200 mm</p> | <p>ST02</p>  <p>26x</p> <p>Ø 115 x 3 mm</p> | <p>ST03</p>  <p>1x</p> | <p>ST05</p>  <p>1x</p> <p>Ø 60 x 1000x4 mm</p> |
| <p>ST06</p>  <p>1x</p> <p>Ø 100 x 3 mm</p> | <p>ST07</p>  <p>1x</p> <p>Ø 28x2x50 mm</p> | <p>ST09</p>  <p>2x</p> | <p>ST10</p>  <p>1x</p> | <p>ST11</p>  <p>29x</p> | <p>ST12</p>  <p>1x</p> |
| <p>G04</p>  <p>12x</p> <p>Ø 40 mm</p> | <p>G06</p>  <p>1x</p> <p>Ø 40x950 mm</p> | <p>G07</p>  <p>5x</p> <p>Ø 6x1x6000 mm</p> | <p>G10</p>  <p>3x</p> <p>Ø 40 mm</p> | <p>G11</p>  <p>11x</p> <p>Ø 15x50 mm</p> | <p>GS01</p>  <p>13x</p> <p>Ø 22x2x1275 mm</p> |
| <p>GS02</p>  <p>3x</p> <p>Ø 22x2x1030 mm</p> | <p>GS03</p>  <p>1x</p> <p>Ø 22x1x913+170mm</p> | <p>KS01</p>  <p>16x</p> <p>Ø 22 mm</p> | <p>KS05</p>  <p>20x</p> <p>Ø 6 x 12 mm</p> | <p>KS06</p>  <p>1x</p> | <p>NT01</p>  <p>4x</p> <p>M20 x 1000 mm</p> |
| <p>NT02</p>  <p>M20 DIN-EN 13x 24035</p> | <p>NT04</p>  <p>M20 DIN 6334</p> <p>4x</p> | <p>NT05</p>  <p>M8x50 mm</p> <p>4x</p> | <p>NT06</p>  <p>Ø 5 x 30 mm</p> <p>58x</p> | <p>NT07</p>  <p>Ø 4,2 x 19 mm</p> <p>40x</p> | <p>NT08</p>  <p>Ø 4x50mm</p> <p>1x</p> |
| <p>NT09</p>  <p>Ø 6x30mm</p> <p>8x</p> | <p>NT10</p>  <p>Ø 6x50mm</p> <p>12x</p> | <p>NT11</p>  <p>Ø 4x25mm</p> <p>62x</p> | <p>NT39</p>  <p>M5 DIN 9021</p> <p>1x</p> | <p>NT40</p>  <p>M8x20mm</p> <p>3x</p> | <p>D01</p>  <p>Ø 12 mm</p> <p>4x</p> |
| <p>D02</p>  <p>Ø 8 mm</p> <p>12x</p> | <p>D03</p>  <p>Ø 6 mm</p> | | | | |

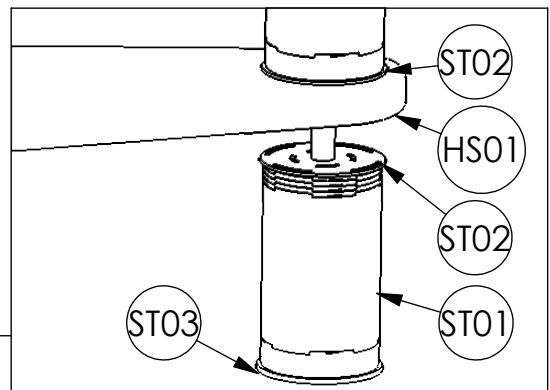
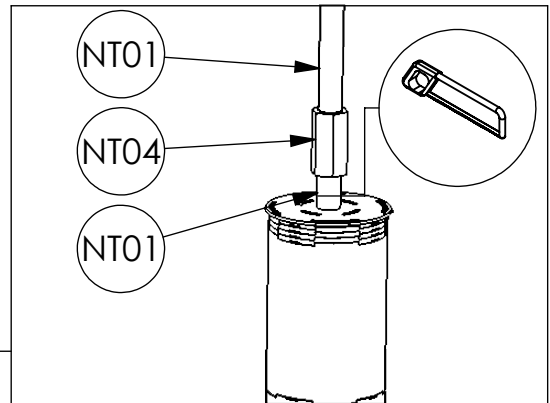
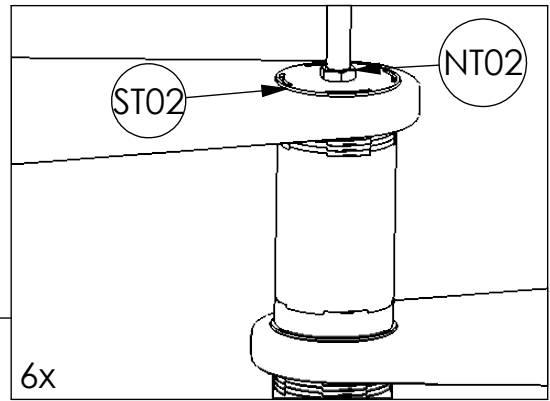
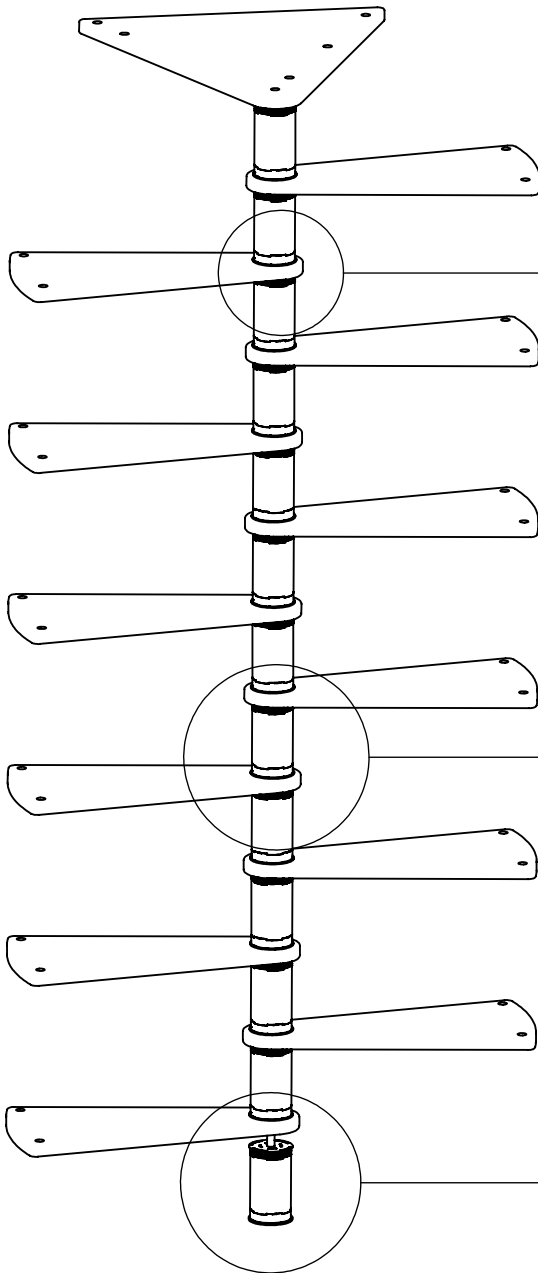


3

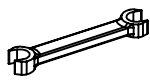




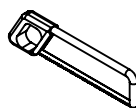
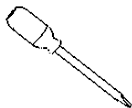
| h | ST1a | ST1b |
|--------|------|------|
| 190 mm | 0x | 0x |
| 195 mm | 1x | 0x |
| 200 mm | 2x | 0x |
| 205 mm | 3x | 0x |
| 210 mm | 4x | 0x |
| 215 mm | 0x | 1x |
| 220 mm | 1x | 1x |
| 225 mm | 2x | 1x |
| 230 mm | 3x | 1x |
| 235 mm | 4x | 1x |

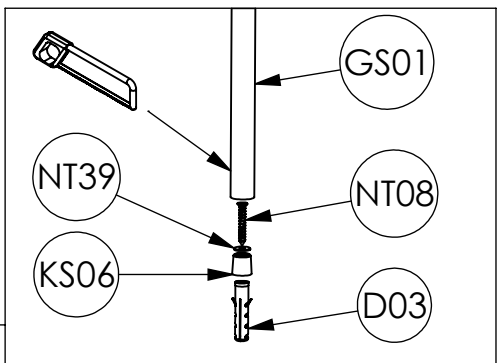
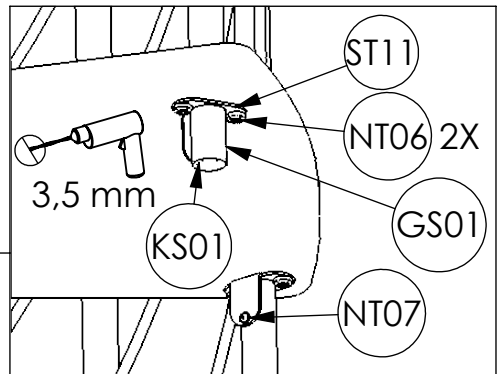
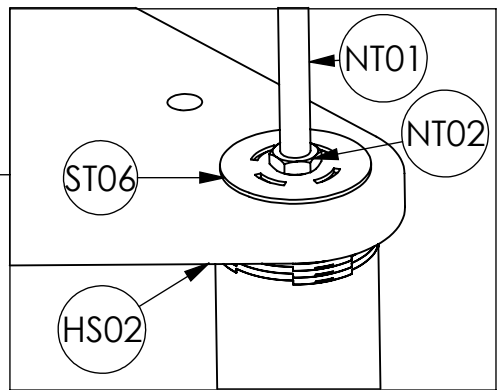
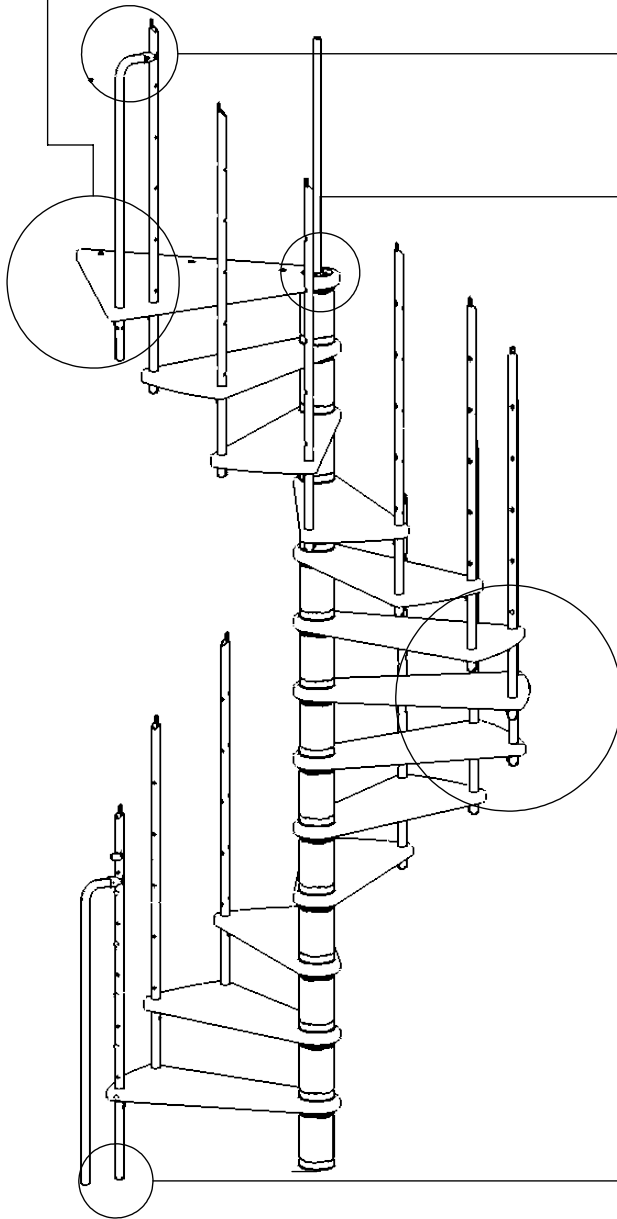
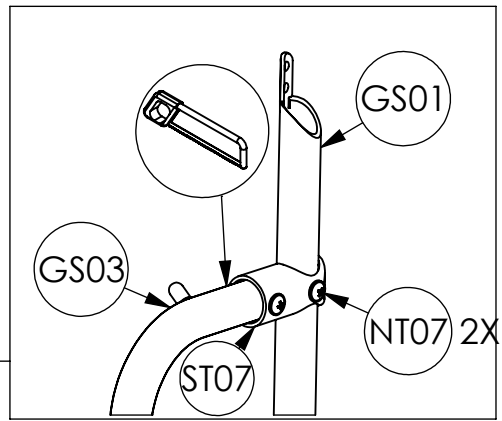
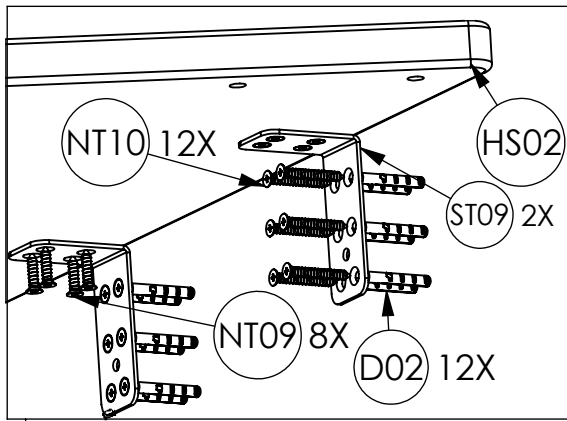


4

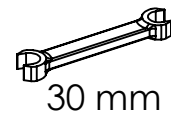
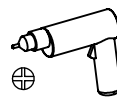
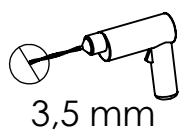
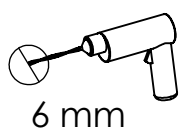
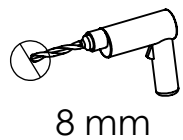


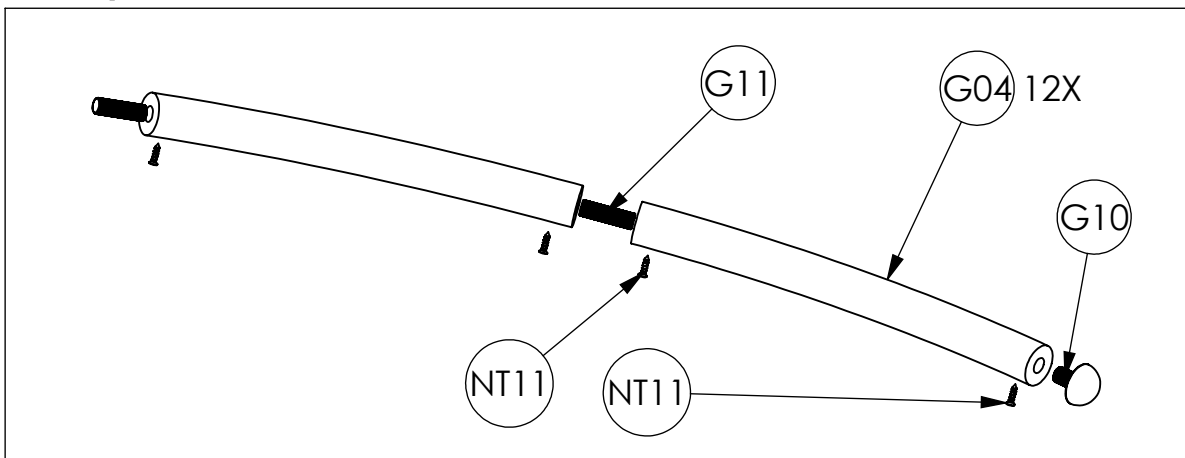
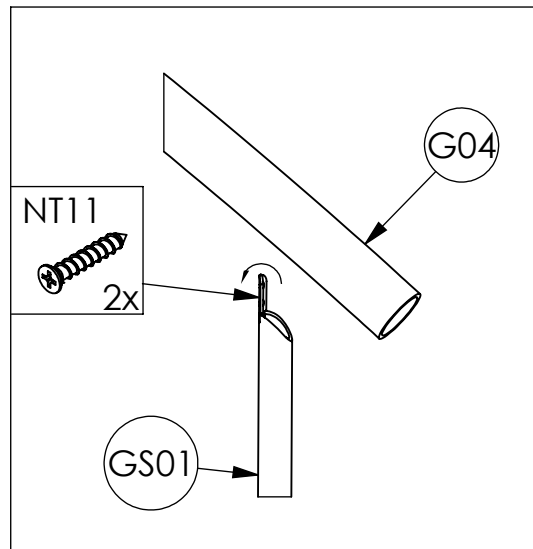
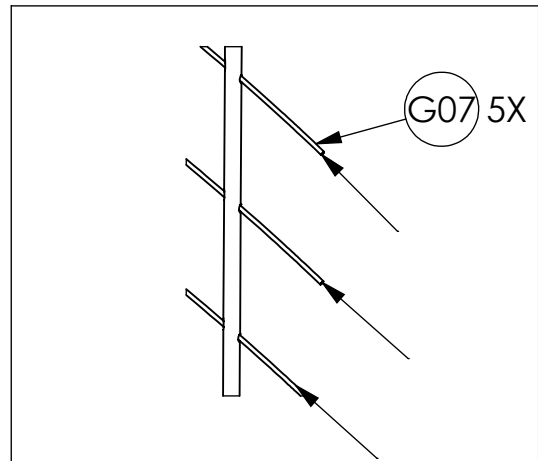
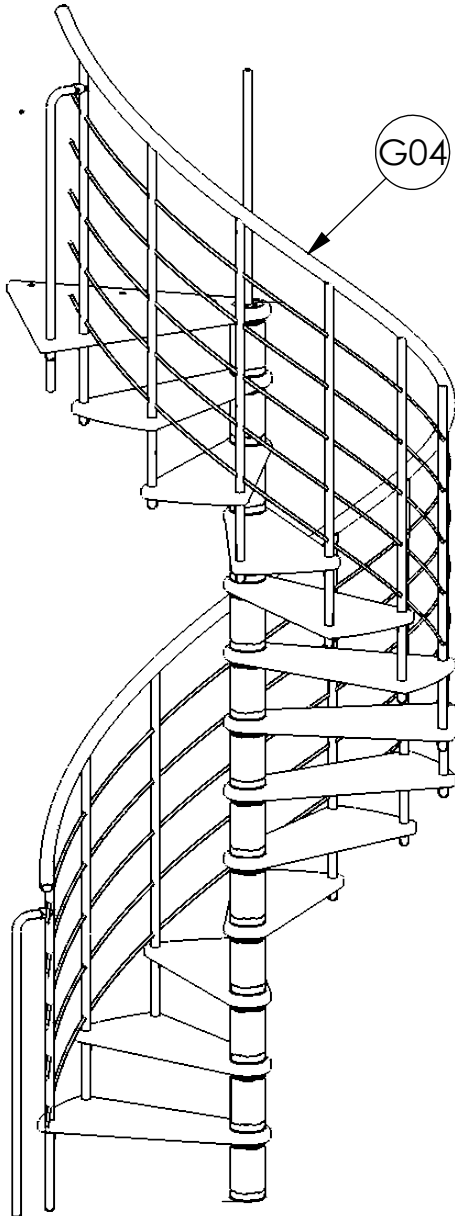
30 mm



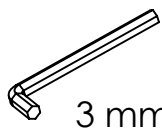


5

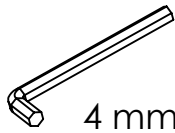




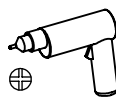
6

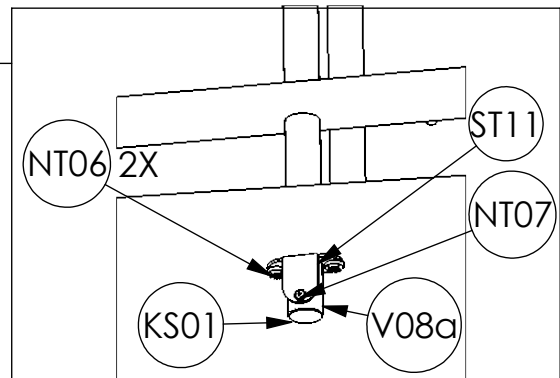
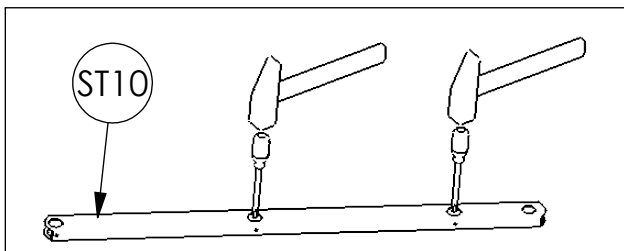
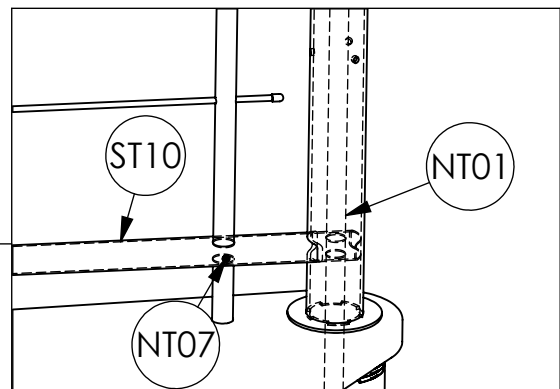
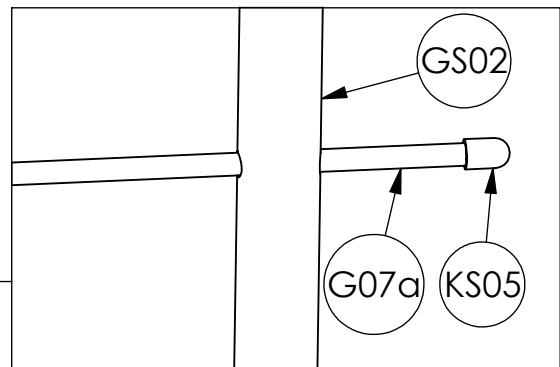
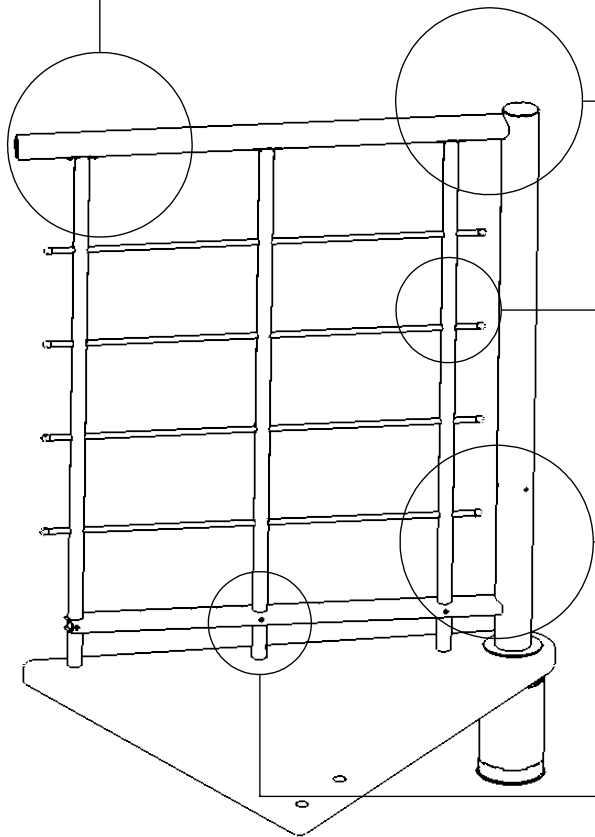
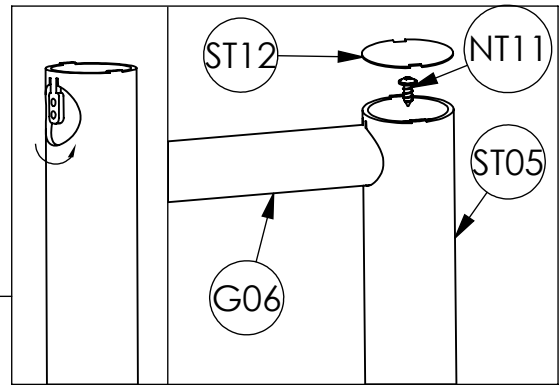
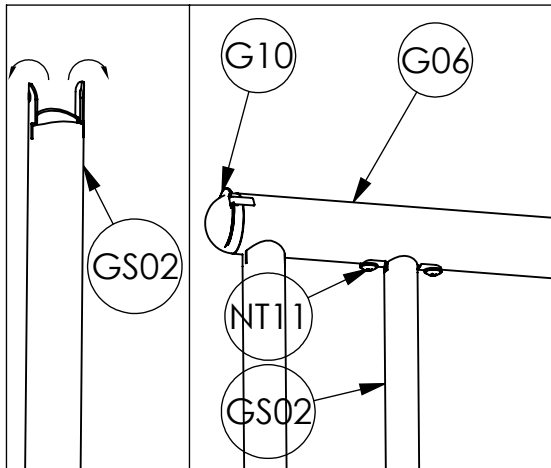


3 mm



4 mm





7

