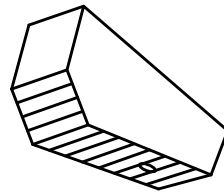
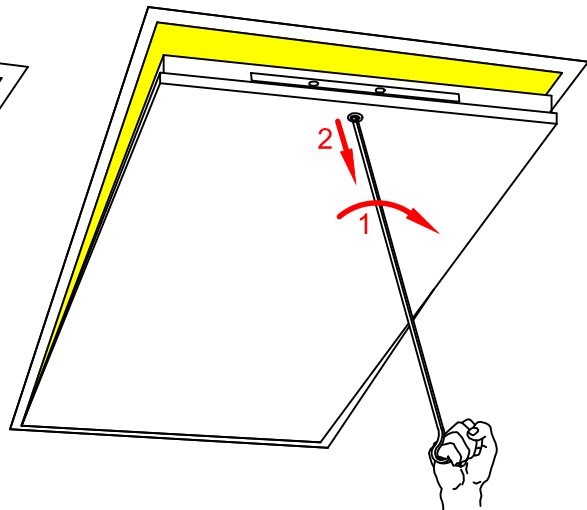
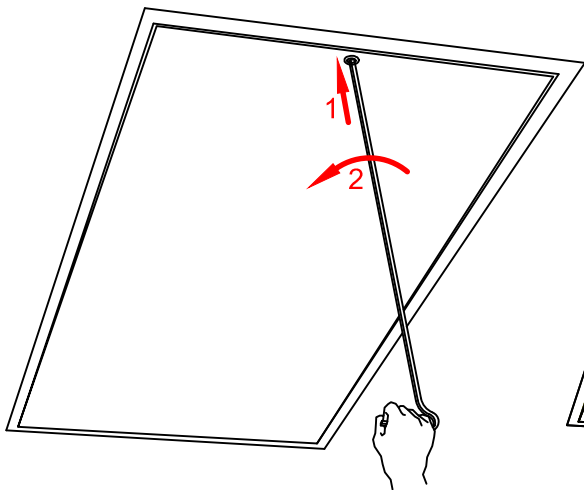


O (2x)

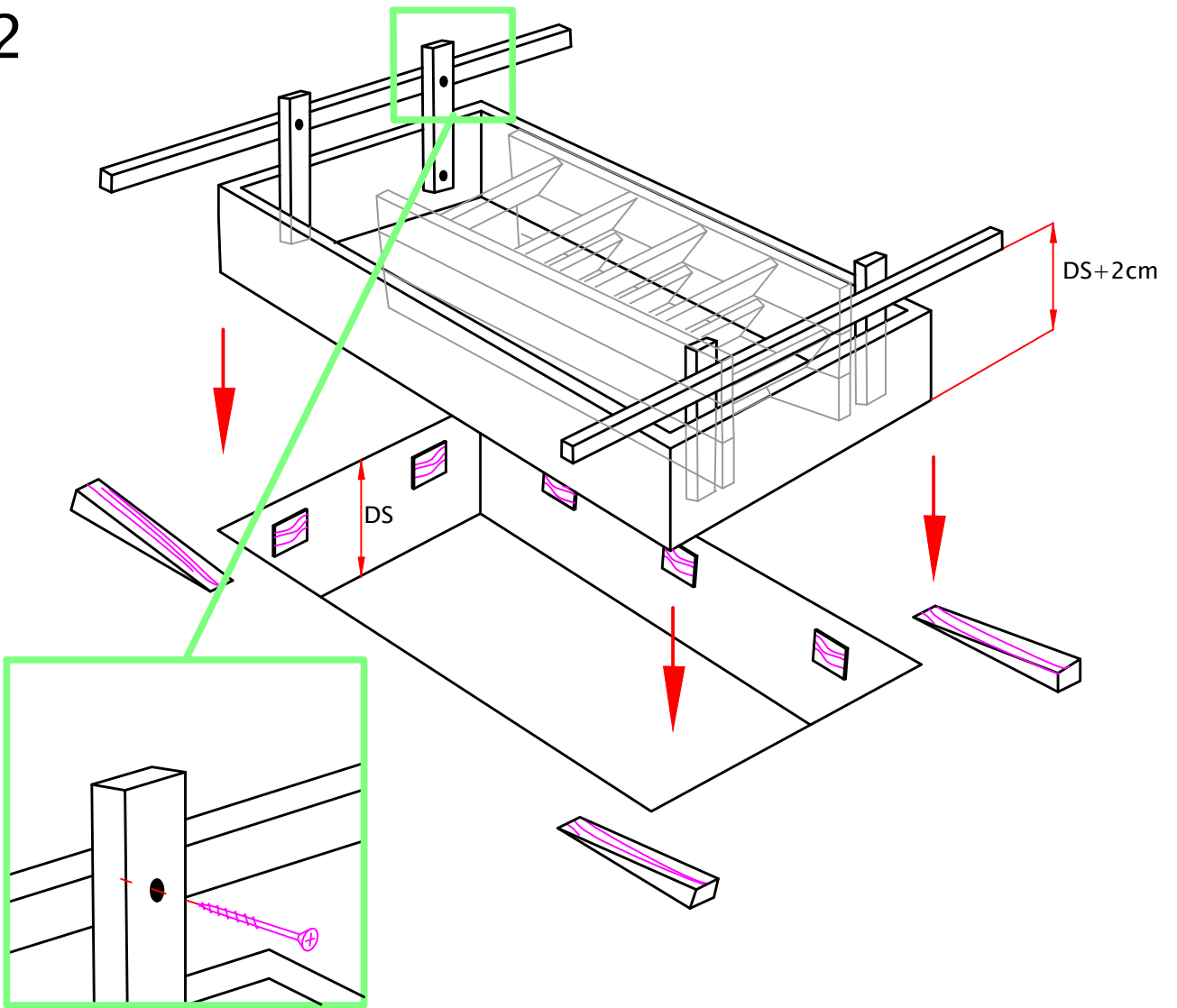


P (2x)

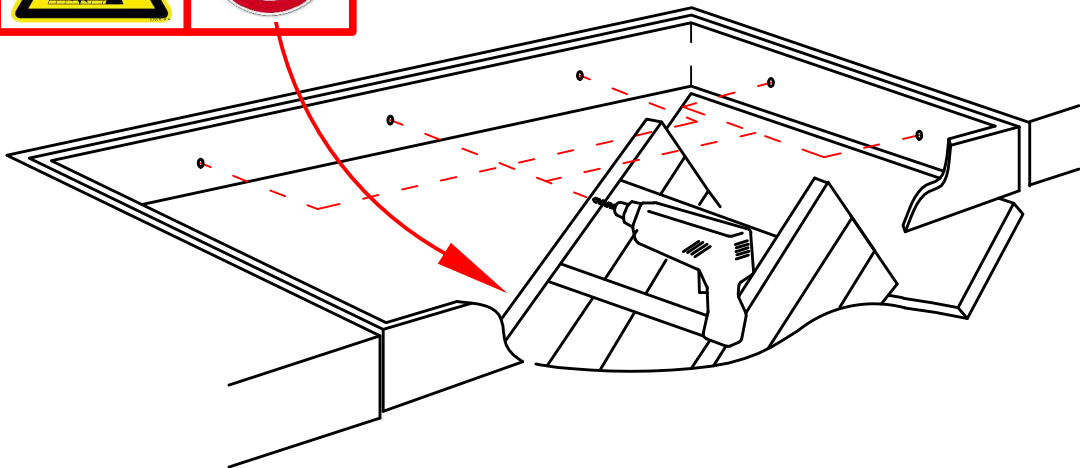
1



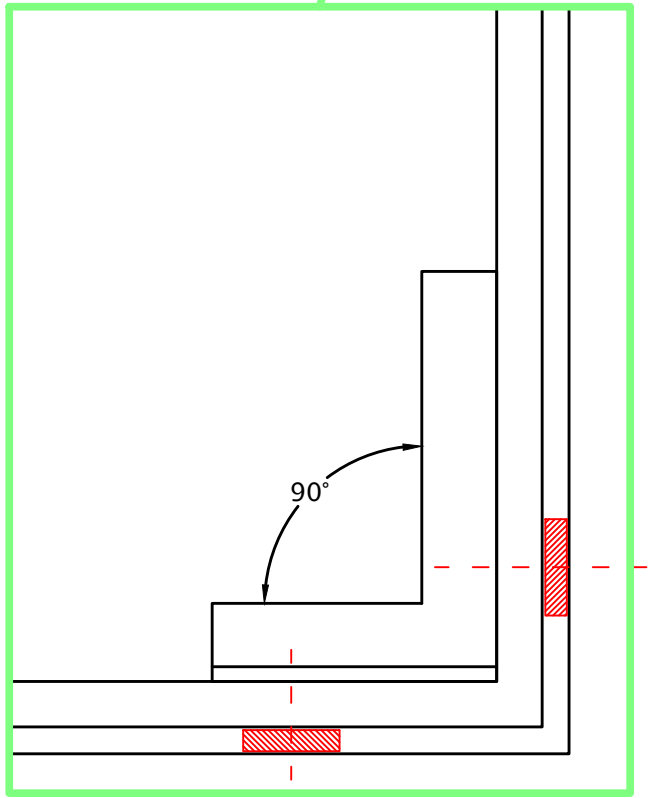
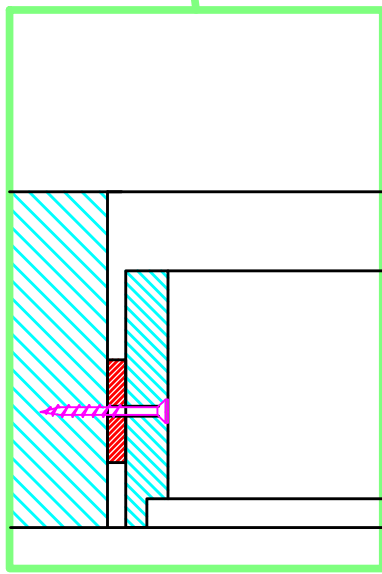
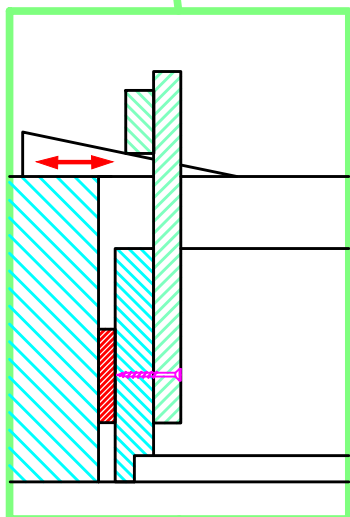
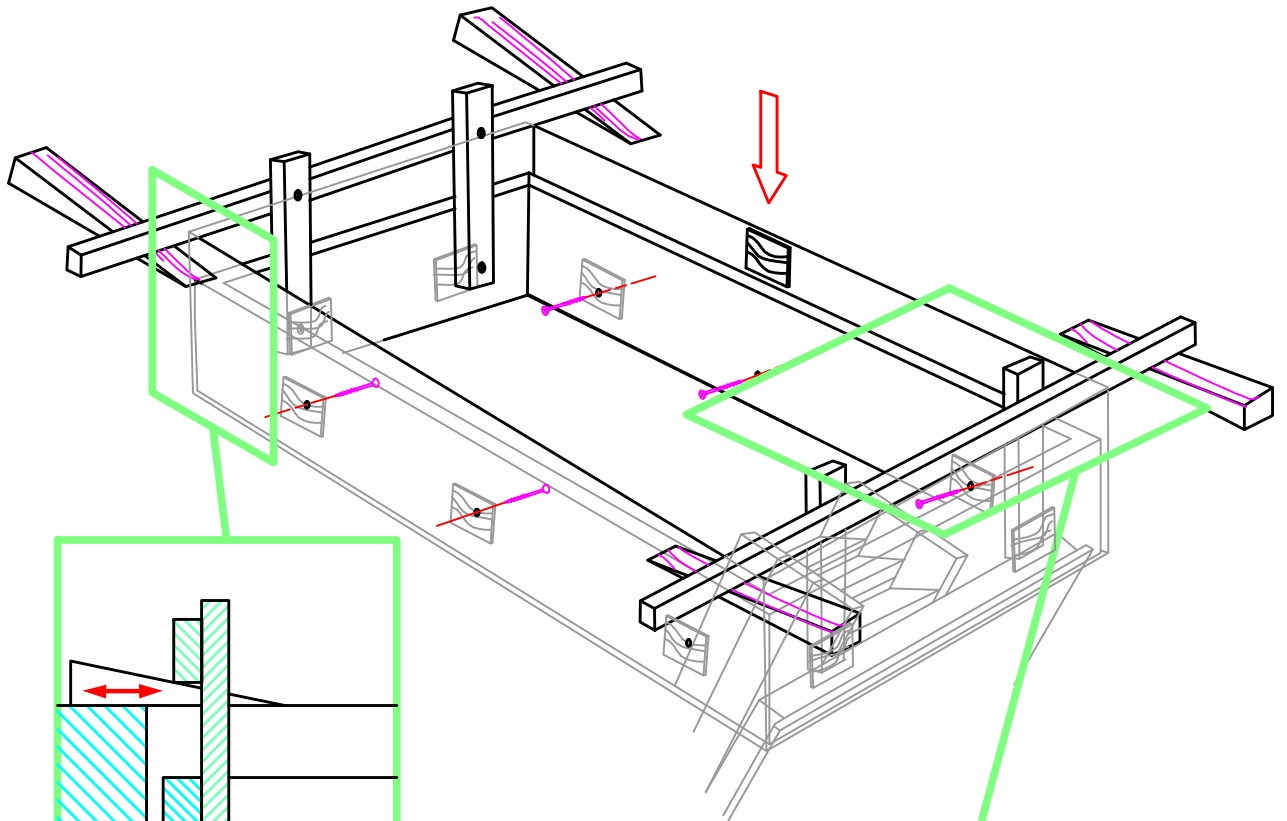
2



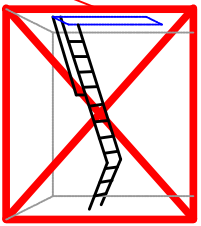
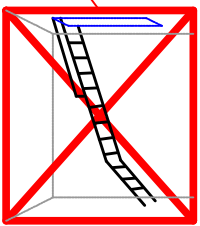
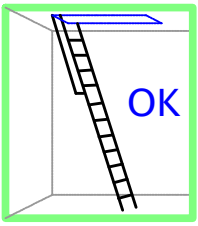
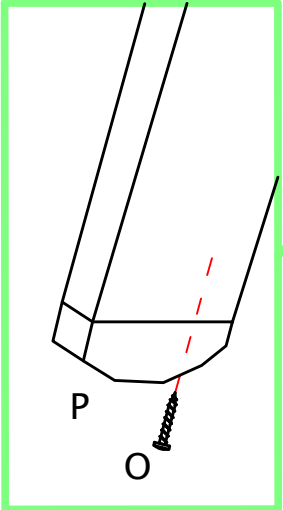
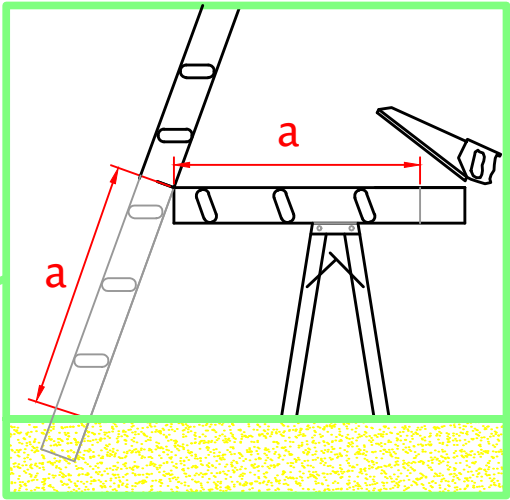
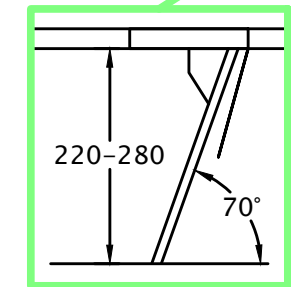
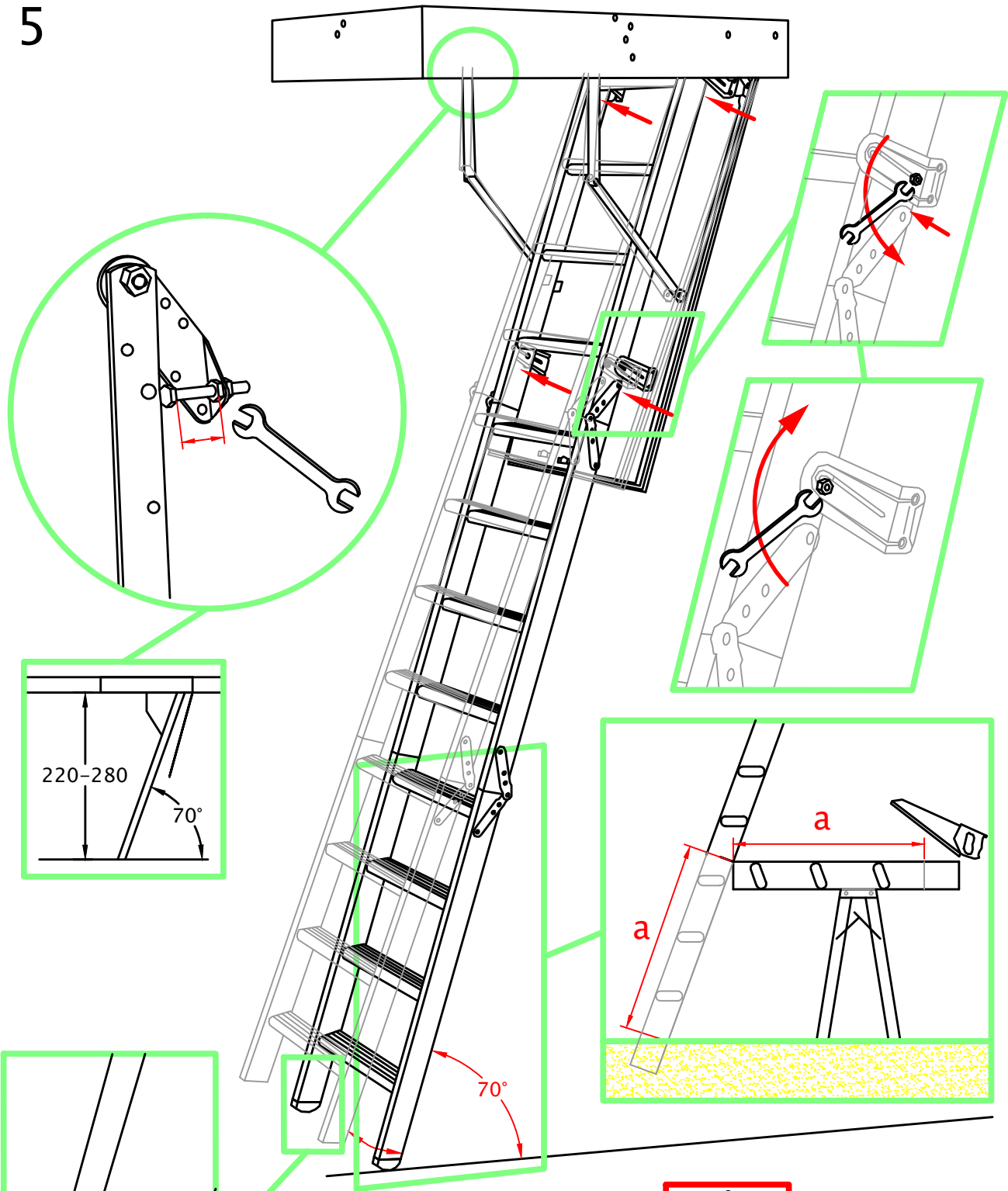
3

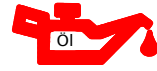
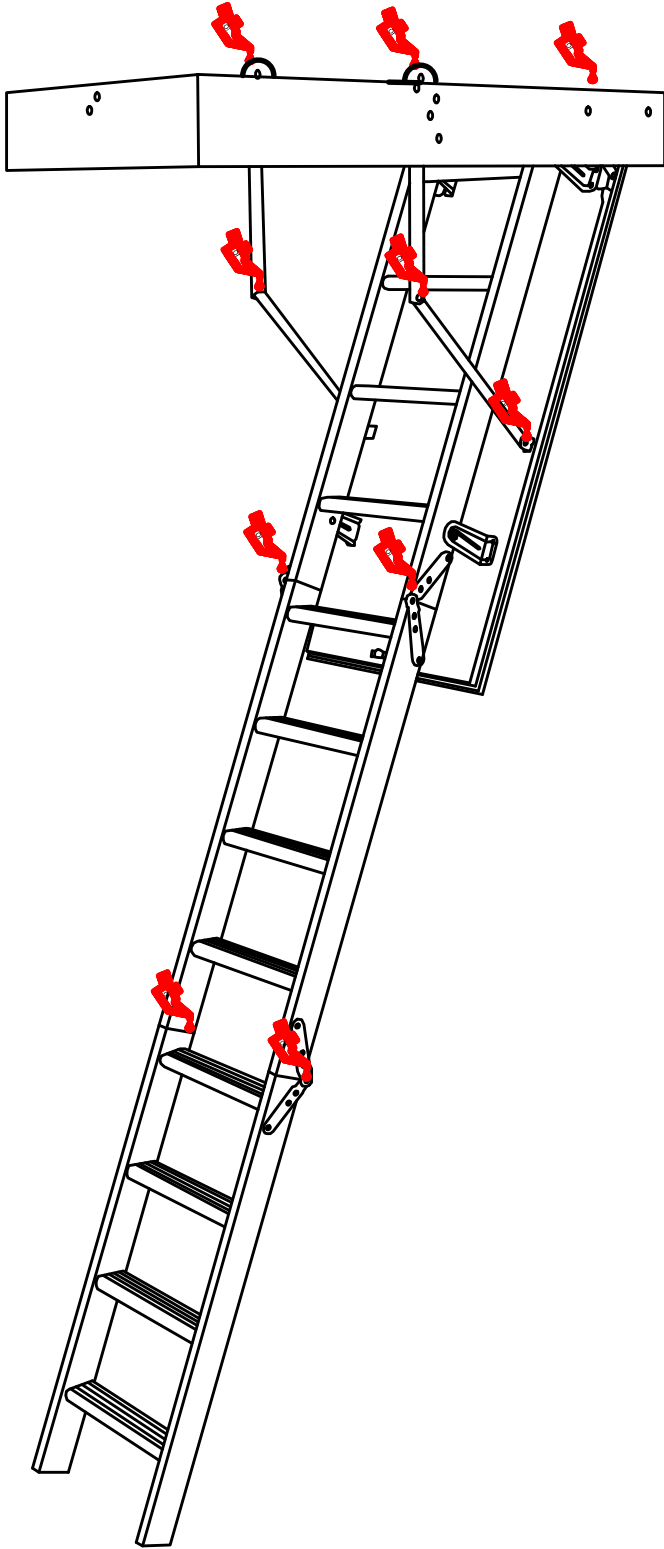


4



5





2015	1 x	✓
2016	1 x	✓
2017	1 x	
2018	1 x	
2019	1 x	
2020	1 x	
2021	1 x	
2022	1 x	
2023	1 x	
2024	1 x	
2025	1 x	

